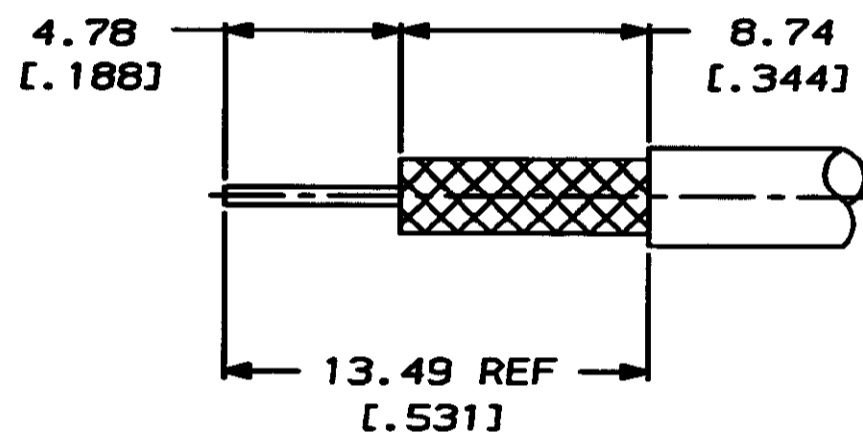
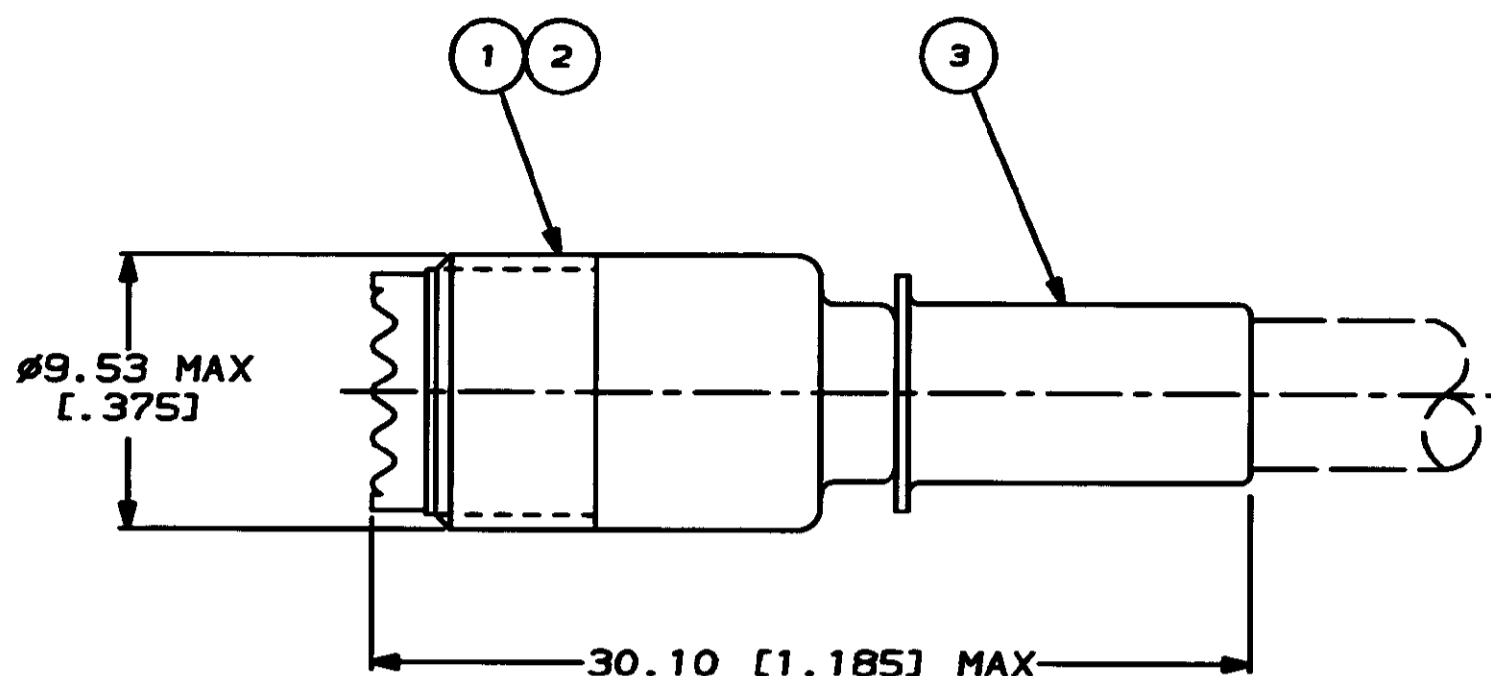


DRAWING MADE IN THIRD ANGLE PROJECTION

THIS DRAWING IS UNPUBLISHED. RELEASED FOR PUBLICATION .19
 © COPYRIGHT 19 BY AMP INCORPORATED. ALL INTERNATIONAL RIGHTS RESERVED.

LOC	DIST	P	F	ZONE	LTR	REVISIONS	DESCRIPTION	DATE	APPD
AJ	16					C	OBSOLETE -2 PER AJ-2857	10-3-91	MS
						D	ADDED -3 PER 91-3338-020	10-3-91	MS
						D1	OBSOLETE -3 PER AJ-6524	12-8-92	KT
						E	REACTIVATE -3 PER 0130-0174-92	1-12-93	MS



RECOMMENDED STRIP LENGTH

1. PARTS PACKAGED UNASSEMBLED
2. SPECIAL PACKAGING, INDIVIDUALLY PACKAGED IN PREPRINTED BAG WITH SPECIAL GRAPHICS
3. CRIMP WITH TOOL: 69710-1 USING DIE 58158-1
4. CRIMP WITH TOOL: 220149-1 OR 58124-1
5. CRIMP WITH TOOL: AMP-0-LECTRIC 220152-1 USING DIE 220162-1
6. CRIMP WITH TOOL: AMP-0-LECTRIC 220152-1 USING DIE 220166-1

OBSOLETE	3 4 5	RG-58/U, 58A/U, 58B/U & 58C/U	226599-2	226610-2	226850-1	226602-3
	6	RG-59/U, 59A/U & 59B/U	226708-2	226711-2	226709-1	226602-2
	3 4 5	RG-58/U, 58A/U, 58B/U & 58C/U	226599-2	226610-2	226850-1	226602-1
CRIMP TOOL	FOR USE WITH:	3 FERRULE QTY=1	2 CONTACT QTY=1	1 JACK ASSY QTY=1	PART NO	

DO NOT SCALE PRINT. UNLESS SPECIFIED DIMENSIONS IN mm [INCHES] TOLERANCES ON: 2 PLC DEC ± 0.41 [.016] 3 PLC DEC ± - ANGLES ± -		DR 10-3-91 M. SNEED CHK 10-3-91 R. HENRY APPD 10-3-91 R. HENRY APPD 10-4-91 M. SNEED PRODUCT SPEC -		PART NO	
MATERIAL -		APPLICATION SPEC -		AMP AMP Incorporated Harrisburg, PA 17105-3608	
FINISH -		WEIGHT -		NAME JACK, MINIATURE UHF	
		SIZE C	CAGE CODE 00779	DRAWING NO 226602	
		SCALE 4:1		SHEET 1 OF 1	

CUSTOMER DRAWING